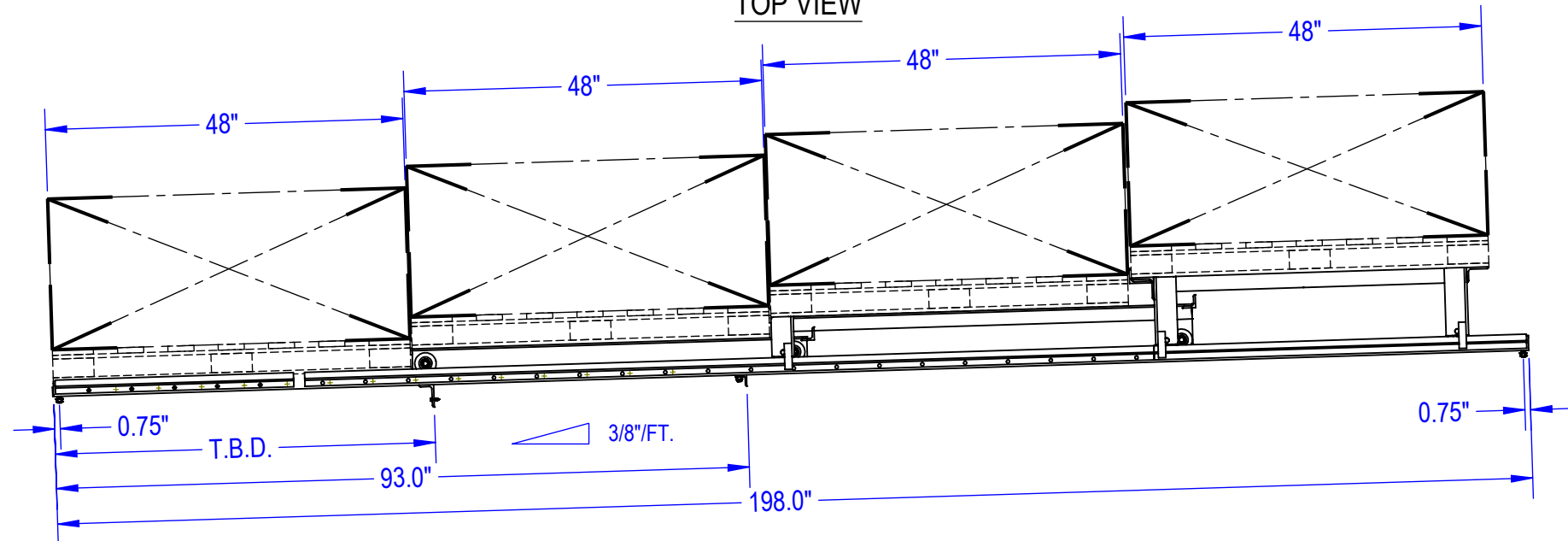
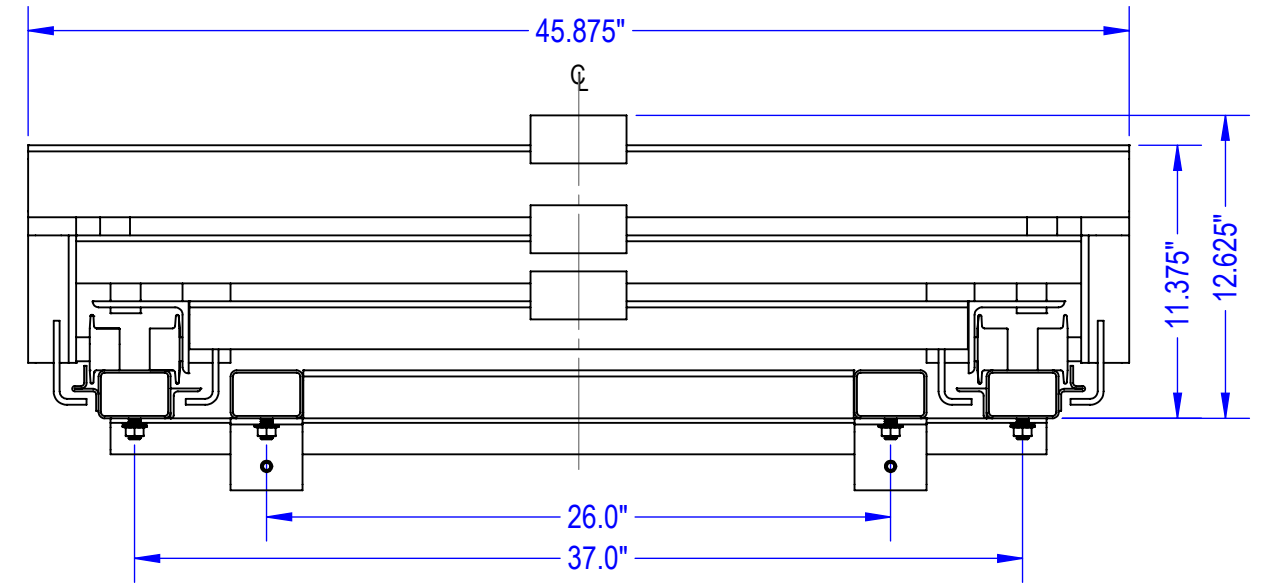


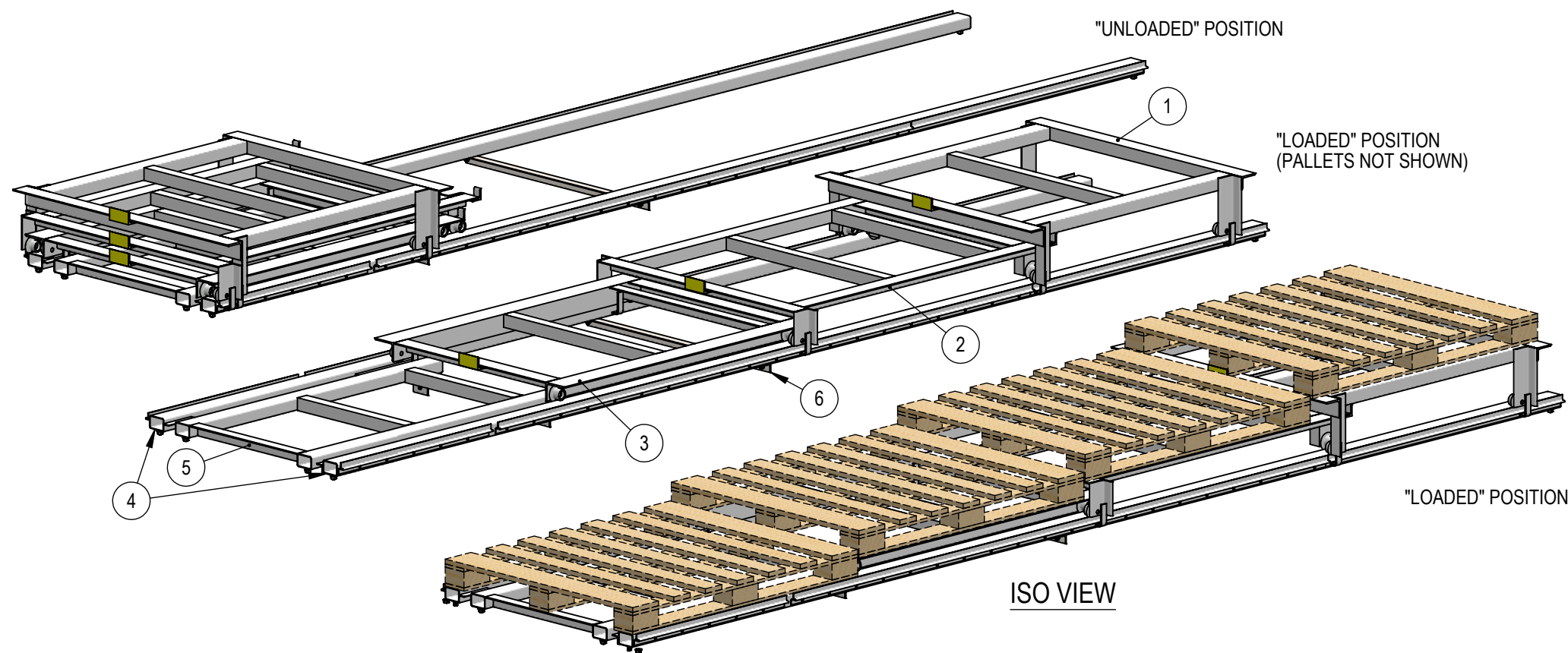
TOP VIEW



SIDE VIEW



FRONT VIEW
SCALE 1 : 8



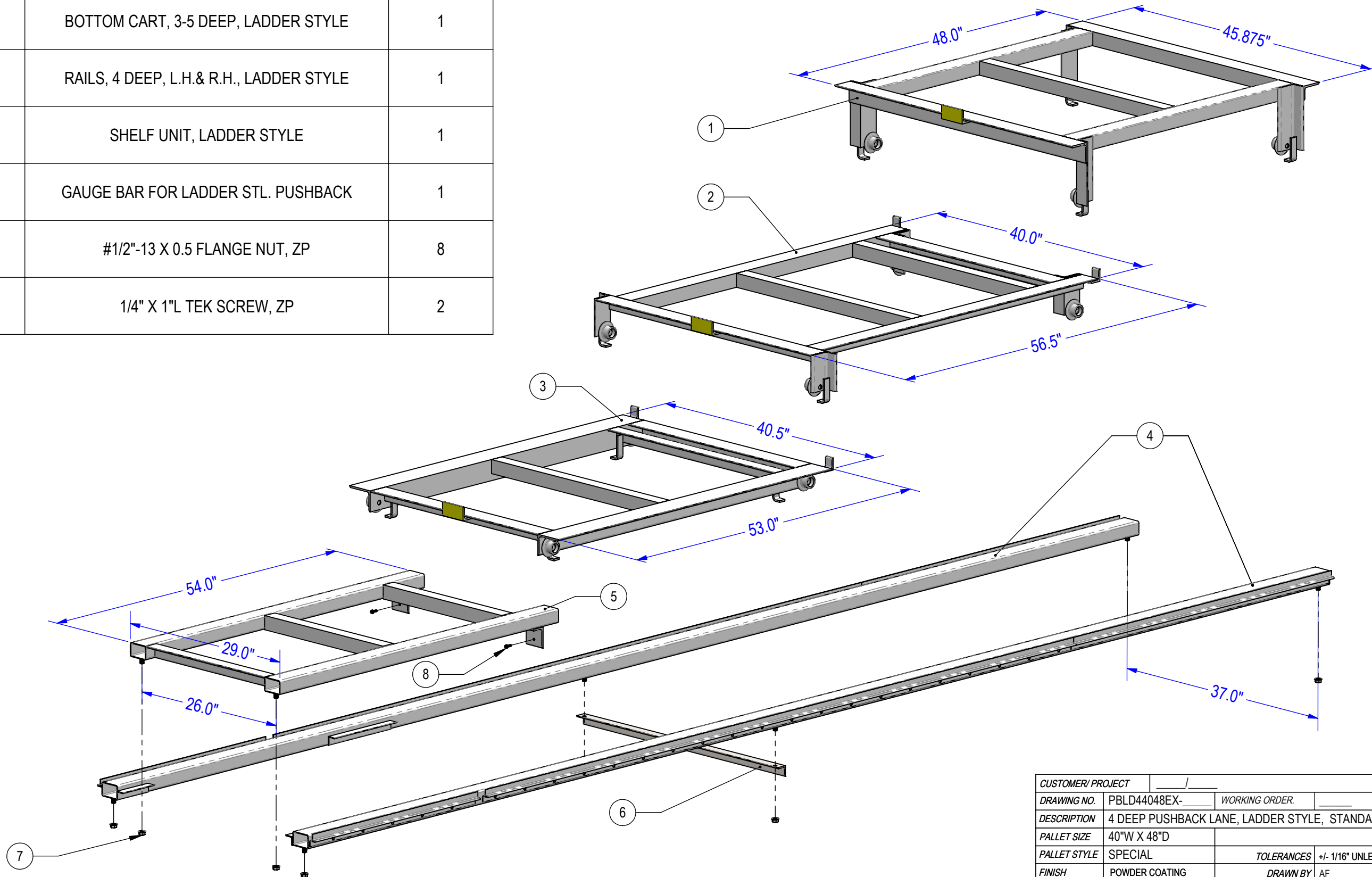
ISO VIEW

ITEM NO.	DESCRIPTION	QTY.	STANDARD LANE COLOURS
1	TOP CART, 4 DEEP, LADDER STYLE	1	GREY, GREEN OR BLUE
2	MIDDLE CART, 4 DEEP, LADDER STYLE	1	
3	BOTTOM CART, 3-5 DEEP, LADDER STYLE	1	
4	RAILS, 4 DEEP, L.H. & R.H., LADDER STYLE	1	
5	SHELF UNIT, LADDER STYLE	1	
6	GAUGE BAR FOR LADDER STL. PUSHBACK	1	

CUSTOMER/ PROJECT			
DRAWING NO.	PBLD44048-		
DESCRIPTION	4 DEEP PUSHBACK LANE, LADDER STYLE, STANDARD		
PALLET SIZE	40"W X 48"D		
PALLET STYLE	SPECIAL	TOLERANCES	+/- 1/16" UNLESS STATED
FINISH	POWDER COATING	DRAWN BY	AF
COLOUR	T.B.CONFIRMED	DRAWN DATE	15/03/2013
MATERIAL	M/S UNLESS STATED	SCALE	1:22



ITEM NO.	DESCRIPTION	QTY.
1	TOP CART, 4 DEEP, LADDER STYLE	1
2	MIDDLE CART, 4 DEEP, LADDER STYLE	1
3	BOTTOM CART, 3-5 DEEP, LADDER STYLE	1
4	RAILS, 4 DEEP, L.H.& R.H., LADDER STYLE	1
5	SHELF UNIT, LADDER STYLE	1
6	GAUGE BAR FOR LADDER STL. PUSHBACK	1
7	#1/2"-13 X 0.5 FLANGE NUT, ZP	8
8	1/4" X 1"L TEK SCREW, ZP	2



CUSTOMER/ PROJECT		_____ / _____	
DRAWING NO.	PBLD44048EX-_____	WORKING ORDER.	_____
DESCRIPTION	4 DEEP PUSHBACK LANE, LADDER STYLE, STANDARD		
PALLET SIZE	40"W X 48"D		
PALLET STYLE	SPECIAL	TOLERANCES	+/- 1/16" UNLESS STATED
FINISH	POWDER COATING	DRAWN BY	AF
COLOUR	T.B.CONFIRMED	DRAWN DATE	15/03/2013
MATERIAL	M/S UNLESS STATED	SCALE	1:14

