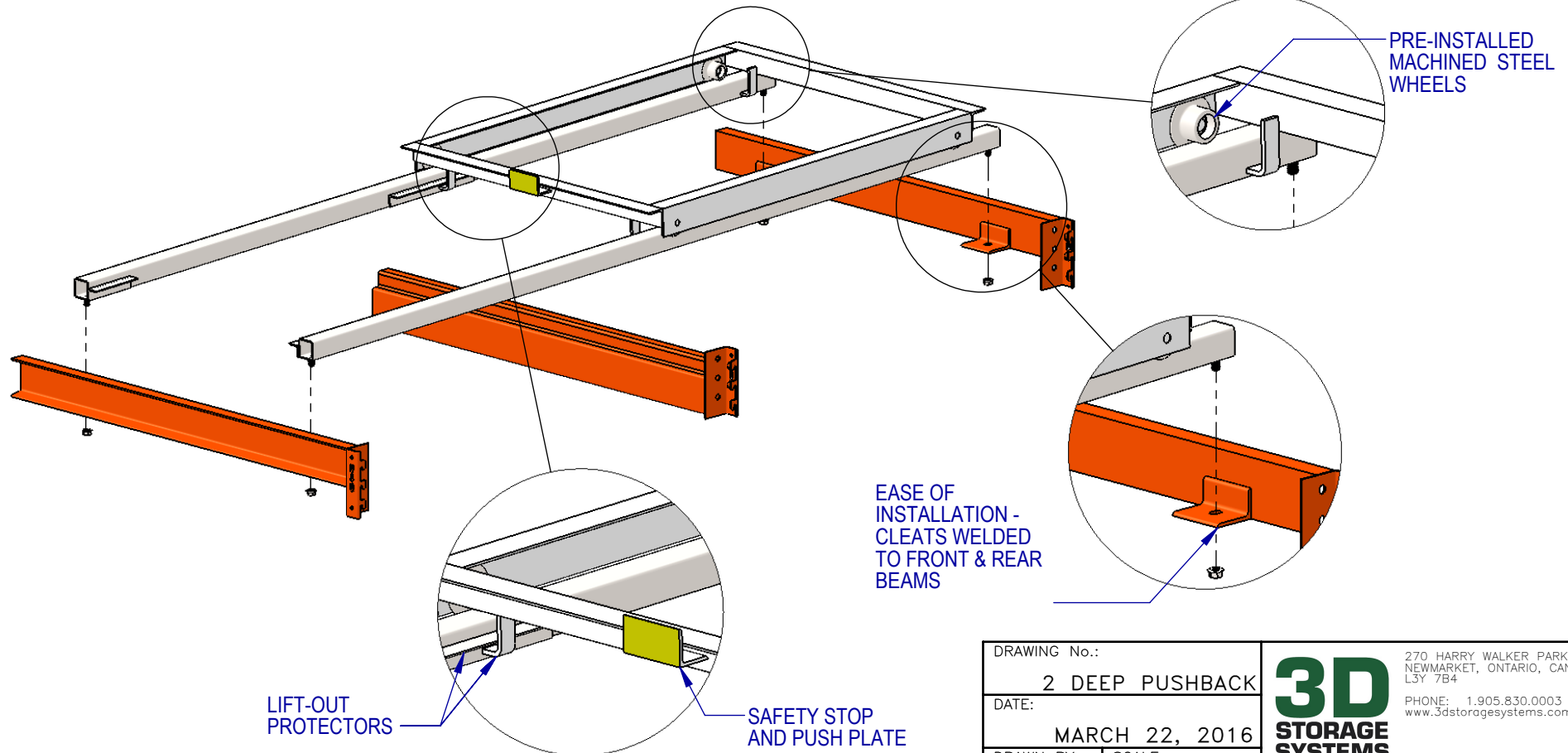
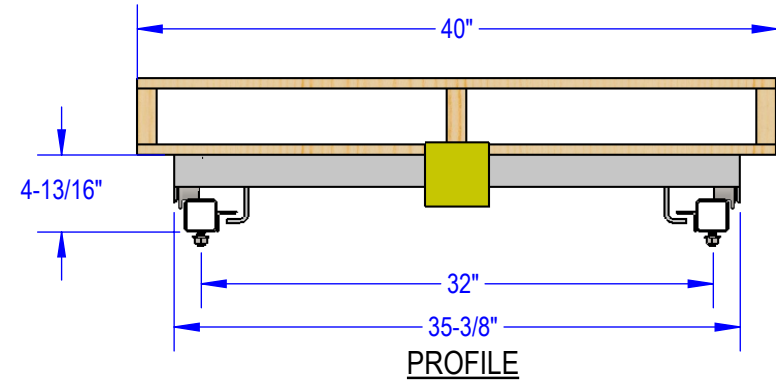


FEATURES AND BENEFITS:

- HEAVY DUTY STRUCTURAL STEEL CONSTRUCTION WITH SUPERIOR IMPACT RESISTANCE IS BUILT TO HANDLE 3,000 LB LOADS.
- CARTS HAVE INTEGRATED CRITICAL SAFETY FEATURES: LIFT-OUT PROTECTION, LINKED CARTS, AND SAFETY STOPS.
- STRUCTURAL TUBE RAILS OFFER A SMOOTH ROLLING SURFACE AND ONLY REQUIRE ATTACHMENT AT FRONT & REAR, NO ATTACHMENT TO INTERNAL BEAMS IS REQUIRED.
- MACHINED STEEL WHEELS WITH PRECISION BEARINGS ON WELDED STEEL SHAFTS.
- CARTS COME FULLY ASSEMBLED - NO NEED TO BOLT WHEELS TO CARTS.
- EASY TRANSPORTATION, EASY INSTALLATION AND EASY TO USE.
- DURABLE POWDER COATED FINISH, AVAILABLE IN GREY, BLUE OR GREEN.
- CUSTOM COLOURS OR HOT DIP GALVANISED FINISH AVAILABLE UPON REQUEST.

2 DEEP LOW PROFILE STEADIFLO PUSHBACK
 (for a typical 40" wide x 48" deep GMA/CHEP style pallet)
 PART NO. PB24048-STN



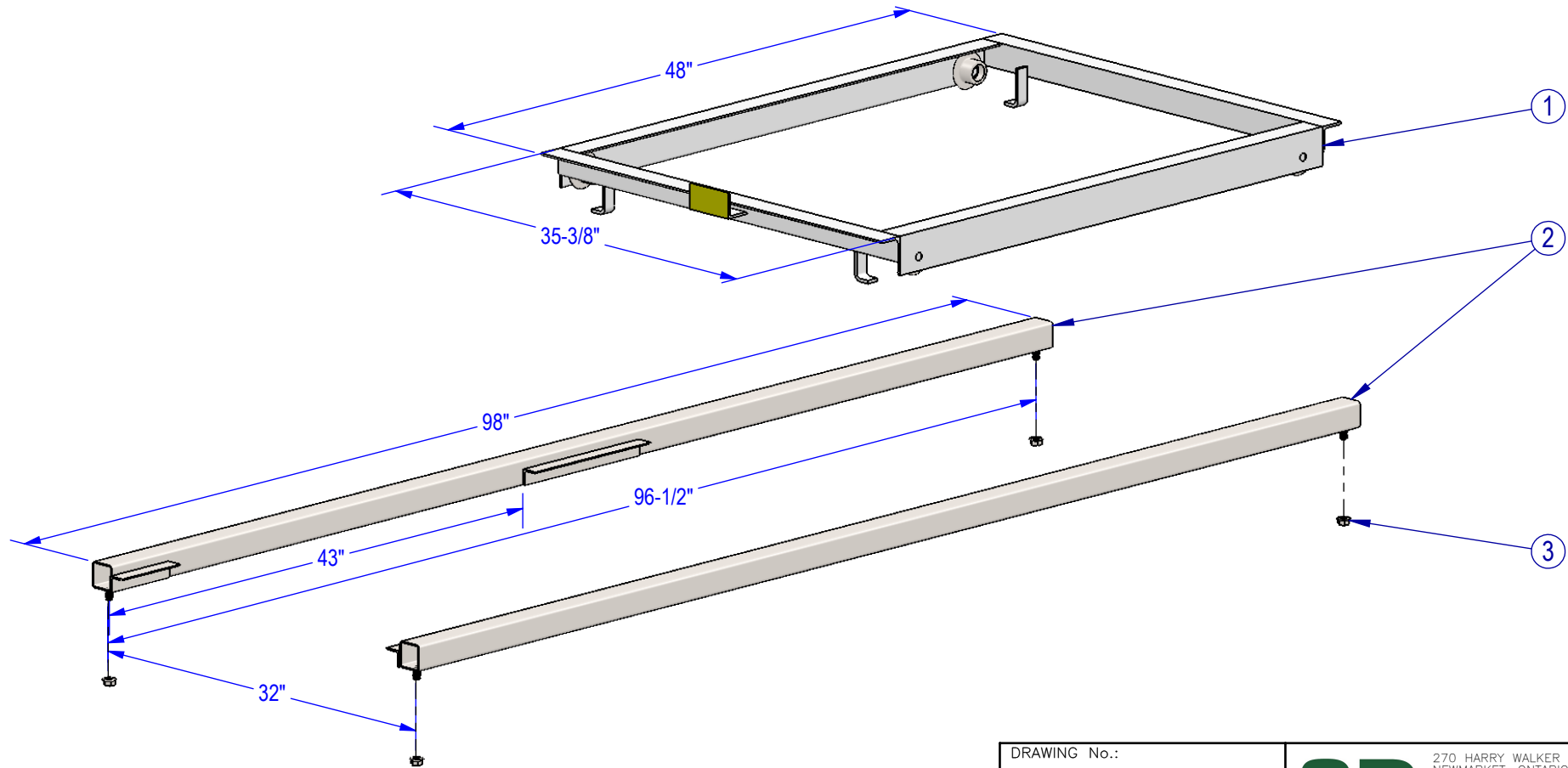
DRAWING No.:	
2 DEEP PUSHBACK	
DATE:	
MARCH 22, 2016	
DRAWN BY:	SCALE:
A.F.	N.T.S.



270 HARRY WALKER PARKWAY N.
 NEWMARKET, ONTARIO, CANADA
 L3Y 7B4
 PHONE: 1.905.830.0003
 www.3dstoragesystems.com

THIS DRAWING IS THE PROPERTY OF 3D STORAGE SYSTEMS LIMITED AND IS NOT TO BE REPRODUCED IN ANY FORM WITHOUT WRITTEN CONSENT.

ITEM NO.	PART NUMBER	DESCRIPTION	QTY.
1	PB24048B-STN	2 DEEP CART	1
2	PB24048R-STN	RAILS, 2 DEEP, L.H. & R.H.	1
3	-	#1/2"-13 X 0.5 FLANGE NUT, ZP	4



COMPONENT DIMENSIONS FOR STANDARD 2 DEEP PUSHBACK LANE.

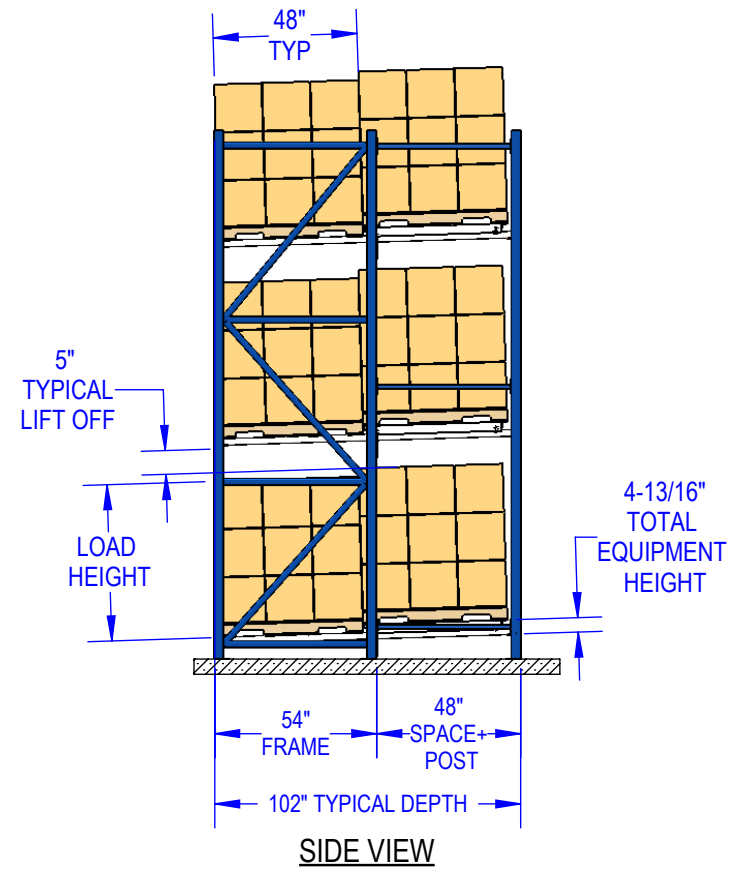
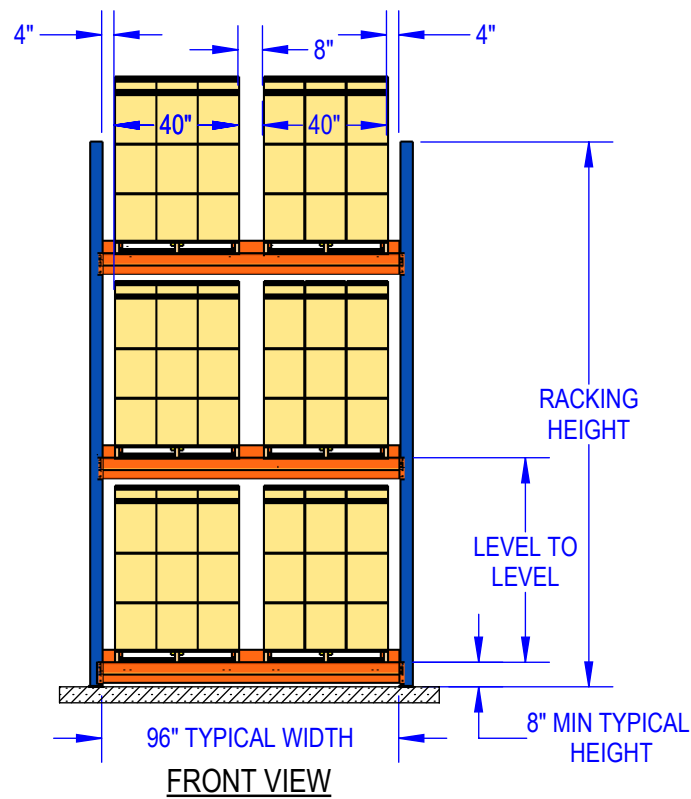
DRAWING No.:	
2 DEEP BOM	
DATE:	
MARCH 22, 2016	
DRAWN BY:	SCALE:
A.F.	N.T.S.



270 HARRY WALKER PARKWAY N.
NEWMARKET, ONTARIO, CANADA
L3Y 7B4

PHONE: 1.905.830.0003
www.3dstoragesystems.com

THIS DRAWING IS THE PROPERTY OF 3D STORAGE SYSTEMS LIMITED AND IS NOT TO BE REPRODUCED IN ANY FORM WITHOUT WRITTEN CONSENT.



TYPICAL DOUBLE WIDE 3-LEVEL HIGH BAY OF 2 DEEP PUSHBACK LANES FOR STANDARD 40" WIDE X 48" DEEP GMA/CHEP STYLE PALLET:

- LEVEL TO LEVEL DISTANCE = LOAD HEIGHT + INTERNAL BEAM HEIGHT + 4-9/16" + 1"
- RECOMMENDED RACKING HEIGHT = FRONT BEAM HEIGHT + LEVEL TO LEVEL DISTANCE x NUMBER OF LEVELS + LOAD HEIGHT / 2
- RECOMMENDED SLOP = 3/8" DROP PER FOOT.
- CENTER TO CENTER DISTANCE FOR RAIL STUDS: 32" SIDE TO SIDE & 96-1/2" FRONT TO BACK.

DRAWING No.:	
2 DEEP ELEVATION	
DATE:	
MARCH 22, 2016	
DRAWN BY:	SCALE:
A.F.	N.T.S.

3D
STORAGE
SYSTEMS
LIMITED

270 HARRY WALKER PARKWAY N.
NEWMARKET, ONTARIO, CANADA
L3Y 7B4

PHONE: 1.905.830.0003
www.3dstoragesystems.com

THIS DRAWING IS THE PROPERTY OF 3D STORAGE SYSTEMS LIMITED AND IS NOT TO BE REPRODUCED IN ANY FORM WITHOUT WRITTEN CONSENT.