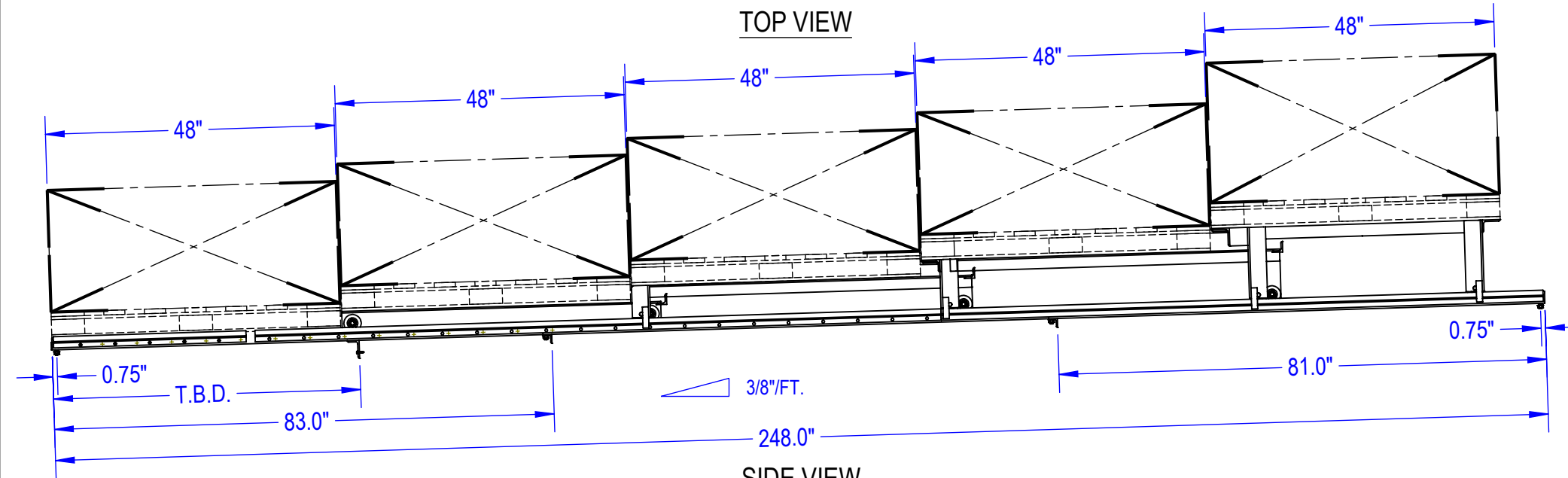
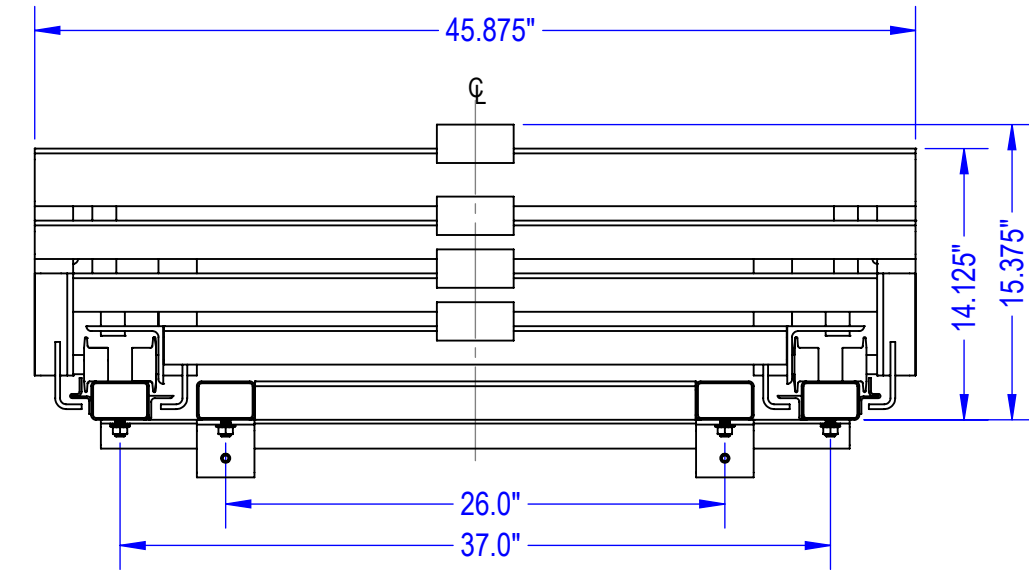


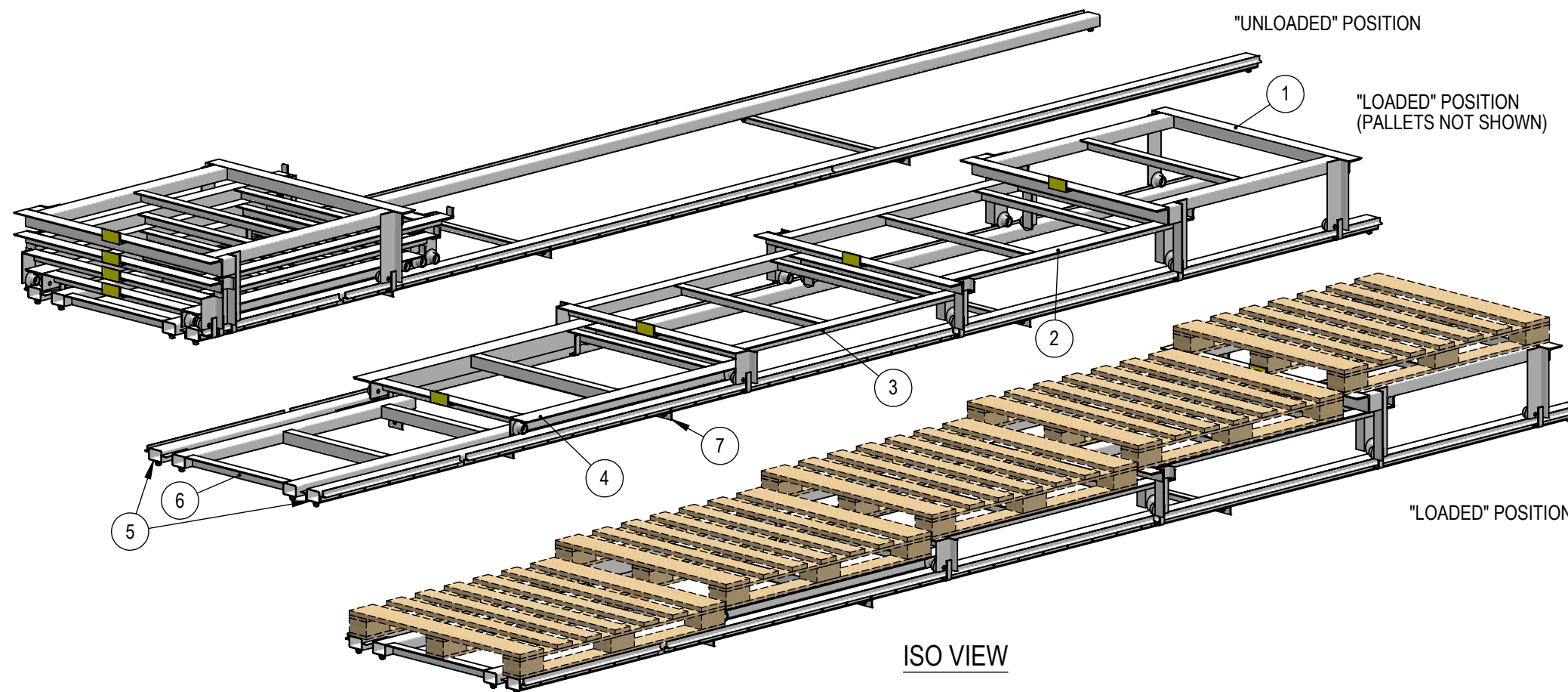
TOP VIEW



SIDE VIEW



FRONT VIEW
SCALE 1 : 10



"UNLOADED" POSITION

"LOADED" POSITION
(PALLET NOT SHOWN)

"LOADED" POSITION

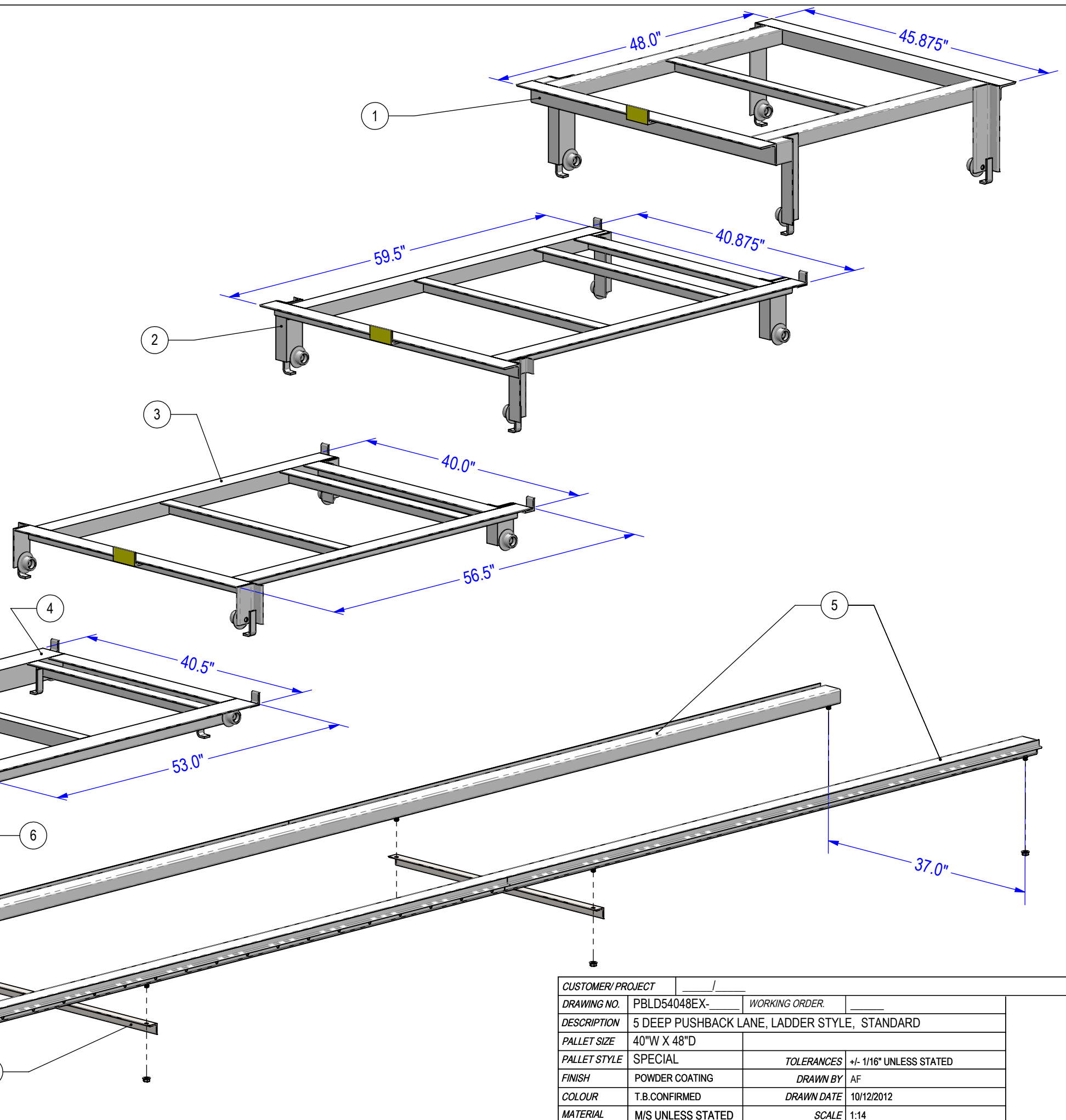
ISO VIEW

ITEM NO.	DESCRIPTION	QTY.	STANDARD LANE COLOURS
1	TOP CART, 5 DEEP, LADDER STYLE	1	GREY, GREEN OR BLUE
2	UPPER MIDDLE CART, 5 DEEP, LADDER STYLE	1	
3	LOWER MIDDLE CART, 5 DEEP, LADDER STYLE	1	
4	BOTTOM CART, 3-5 DEEP, LADDER STYLE	1	
5	RAILS, 4 DEEP, L.H. & R.H., LADDER STYLE	1	
6	SHELF UNIT, LADDER STYLE	1	
7	GAUGE BAR FOR LADDER STL. PUSHBACK	2	

CUSTOMER/ PROJECT			
DRAWING NO.	PBLD54048-		
DESCRIPTION	5 DEEP PUSHBACK LANE, LADDER STYLE, STANDARD		
PALLET SIZE	40"W X 48"D		
PALLET STYLE	SPECIAL	TOLERANCES	+/- 1/16" UNLESS STATED
FINISH	POWDER COATING	DRAWN BY	AF
COLOUR	T.B.CONFIRMED	DRAWN DATE	10/12/2012
MATERIAL	M/S UNLESS STATED	SCALE	1:24



ITEM NO.	DESCRIPTION	QTY.
1	TOP CART, 5 DEEP, LADDER STYLE	1
2	UPPER MIDDLE CART, 5 DEEP, LADDER STYLE	1
3	LOWER MIDDLE CART, 5 DEEP, LADDER STYLE	1
4	BOTTOM CART, 3-5 DEEP, LADDER STYLE	1
5	RAILS, 4 DEEP, L.H.& R.H., LADDER STYLE	1
6	SHELF UNIT, LADDER STYLE	1
7	#1/2"-13 X 0.5 FLANGE NUT, ZP	10
8	1/4" X 1"L TEK SCREW, ZP	2
9	GAUGE BAR FOR LADDER STL. PUSHBACK	2



CUSTOMER/ PROJECT			
DRAWING NO.	PBLD54048EX-	WORKING ORDER.	
DESCRIPTION	5 DEEP PUSHBACK LANE, LADDER STYLE, STANDARD		
PALLET SIZE	40"W X 48"D		
PALLET STYLE	SPECIAL	TOLERANCES	+/- 1/16" UNLESS STATED
FINISH	POWDER COATING	DRAWN BY	AF
COLOUR	T.B.CONFIRMED	DRAWN DATE	10/12/2012
MATERIAL	M/S UNLESS STATED	SCALE	1:14

