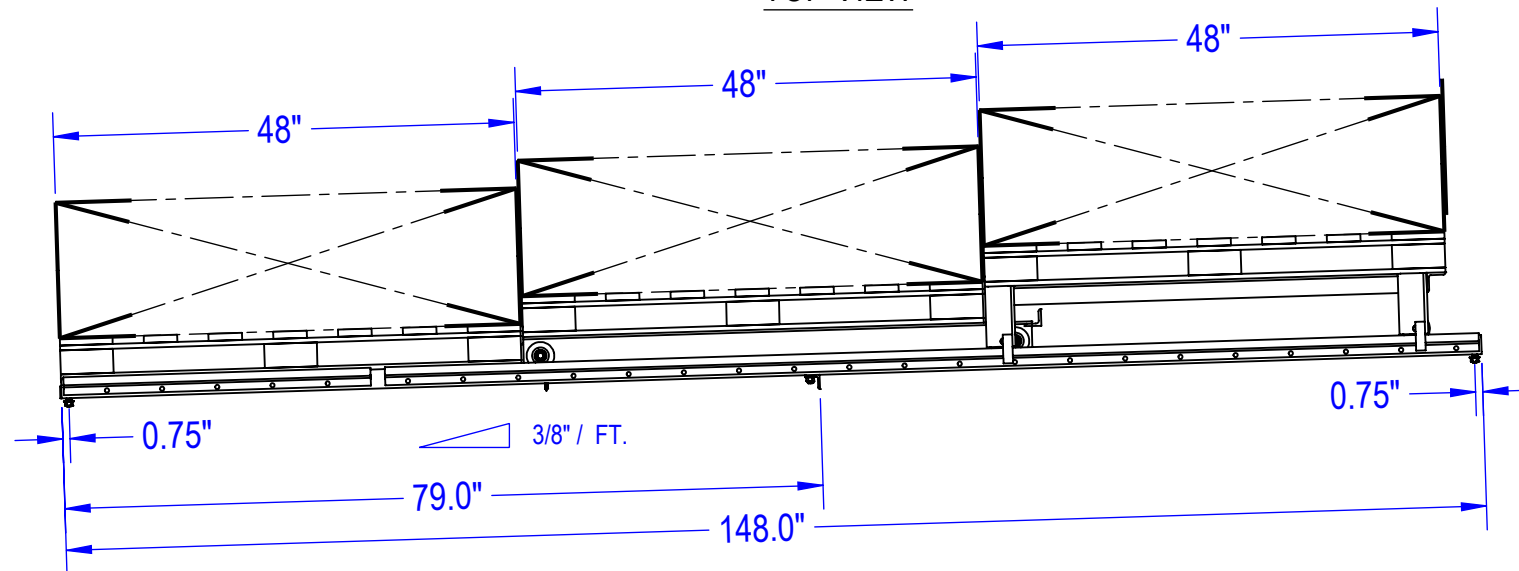
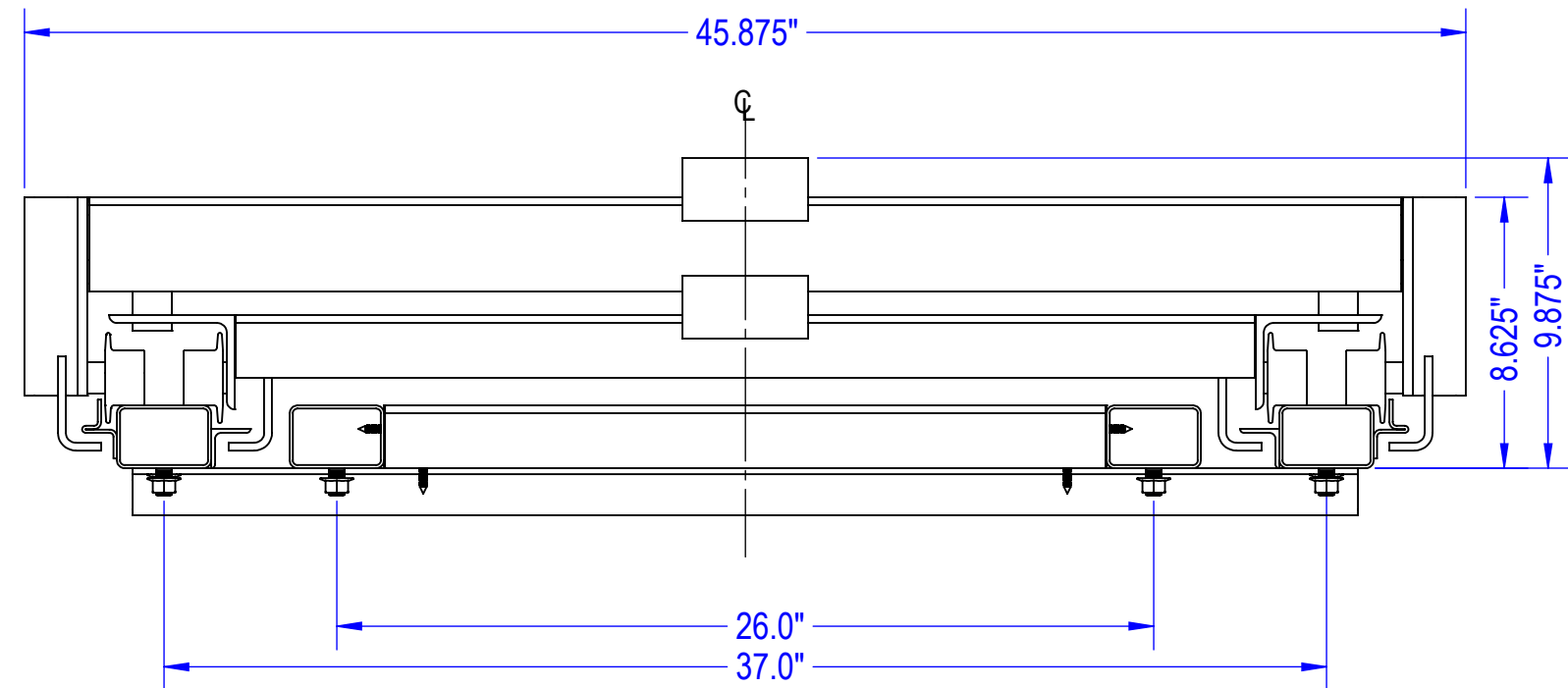


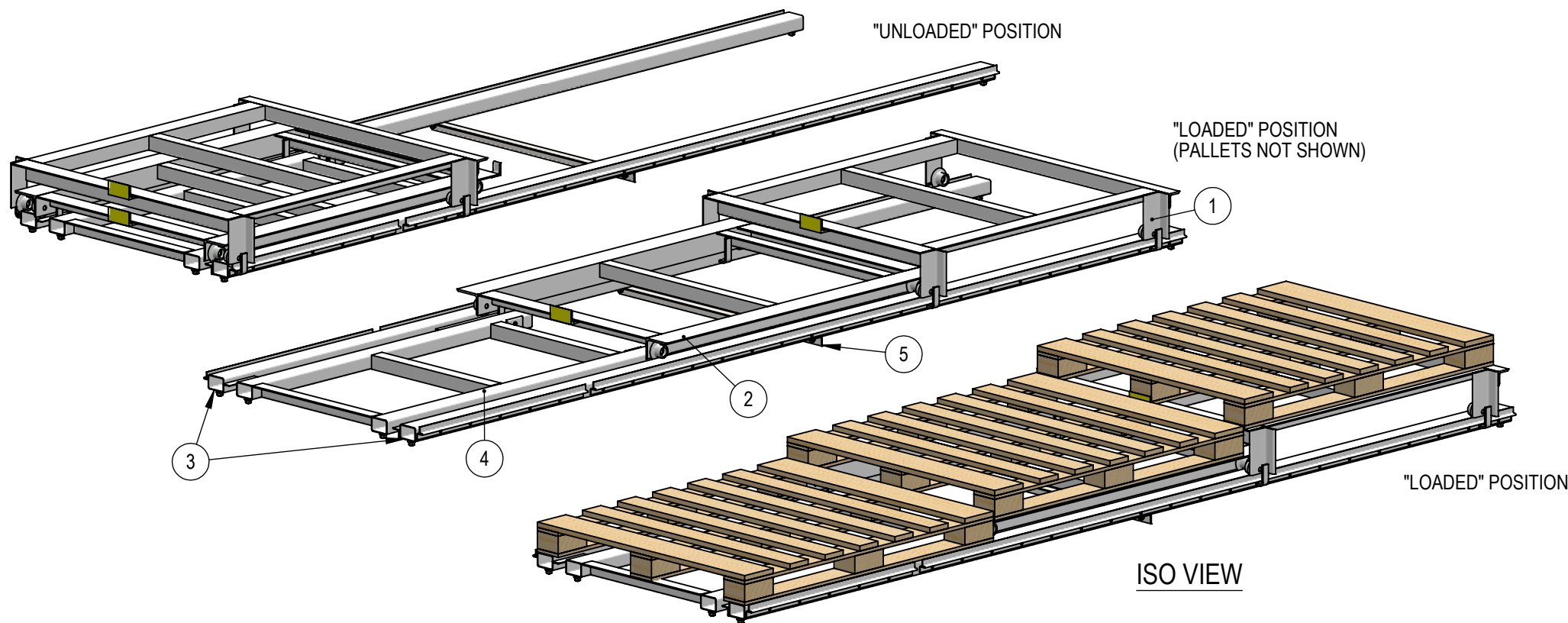
TOP VIEW



SIDE VIEW



SCALE 1 : 6  
PROFILE



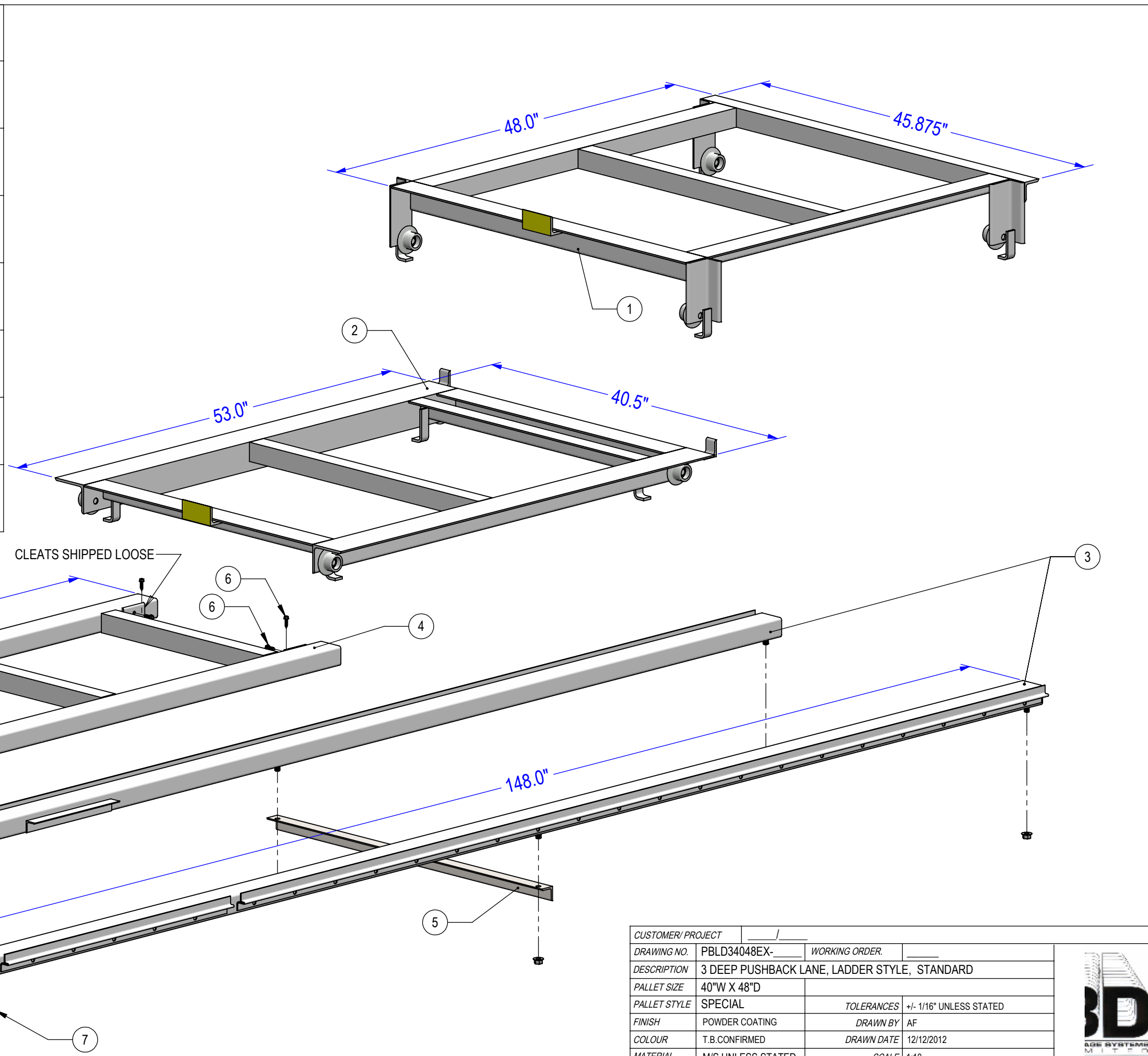
ISO VIEW

ITEM NO.	DESCRIPTION	QTY.	STANDARD LANE COLOURS
1	3 DEEP TOP CART, LADDER STYLE	1	GREY, GREEN OR BLUE
2	BOTTOM CART, 3-5 DEEP, LADDER STYLE	1	
3	RAILS, 3 DEEP, L.H. & R.H., LADDER STYLE	1	
4	SHELF UNIT, LADDER STYLE	1	
5	GAUGE BAR FOR LADDER STYLE PUSHBACK	1	

CUSTOMER/ PROJECT			
DRAWING NO.	PBLD34048-		
DESCRIPTION	3 DEEP PUSHBACK LANE, LADDER STYLE, STANDARD		
PALLET SIZE	40"W X 48"D		
PALLET STYLE	SPECIAL	TOLERANCES	+/- 1/16" UNLESS STATED
FINISH	POWDER COATING	DRAWN BY	AF
COLOUR	T.B.CONFIRMED	DRAWN DATE	12/12/2012
MATERIAL	M/S UNLESS STATED	SCALE	1:20



ITEM NO.	DESCRIPTION	QTY.
1	3 DEEP TOP CART, LADDER STYLE	1
2	BOTTOM CART, 3-5 DEEP, LADDER STYLE	1
3	RAILS, 3 DEEP, L.H.& R.H., LADDER STYLE	1
4	SHELF UNIT, LADDER STYLE	1
5	GAUGE BAR FOR LADDER STYLE PUSHBACK	1
6	1/4" X 1"L TEK SCREW, ZP	4
7	#1/2"-13 X 0.5 FLANGE NUT	8



CUSTOMER/ PROJECT		_____ / _____	
DRAWING NO.	PBLD34048EX-_____	WORKING ORDER.	_____
DESCRIPTION	3 DEEP PUSHBACK LANE, LADDER STYLE, STANDARD		
PALLET SIZE	40"W X 48"D		
PALLET STYLE	SPECIAL	TOLERANCES	+/- 1/16" UNLESS STATED
FINISH	POWDER COATING	DRAWN BY	AF
COLOUR	T.B.CONFIRMED	DRAWN DATE	12/12/2012
MATERIAL	M/S UNLESS STATED	SCALE	1:10

