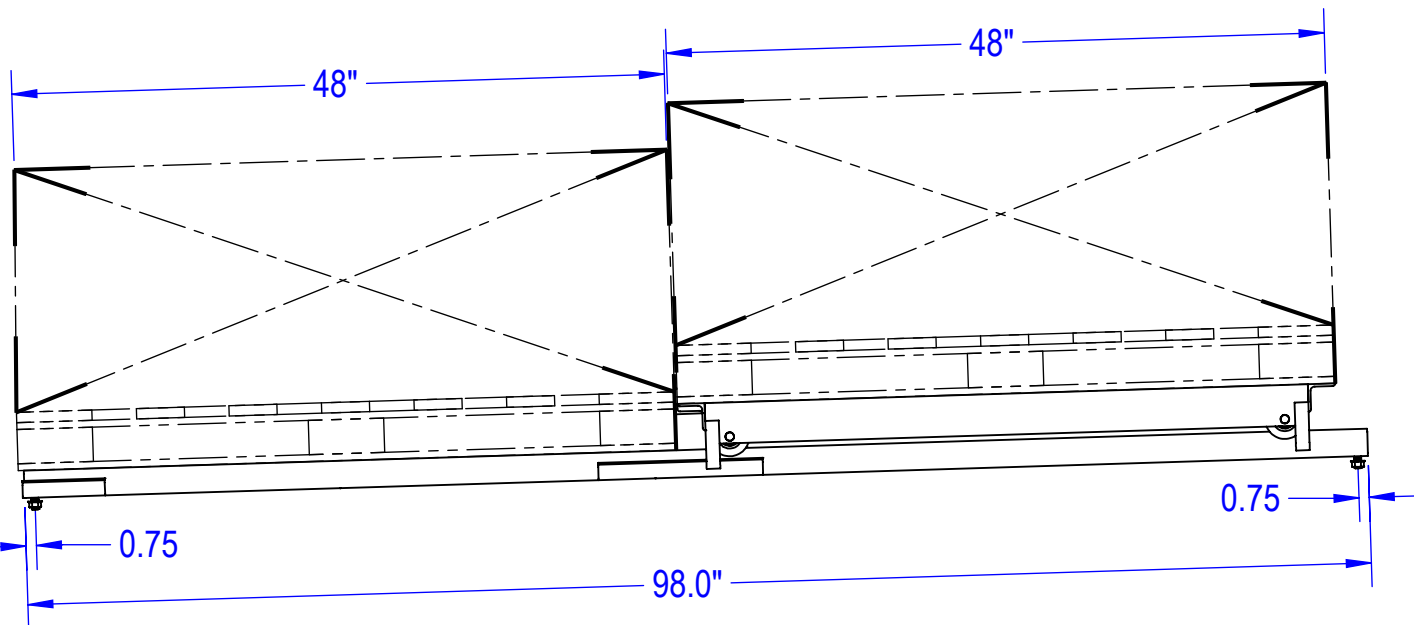
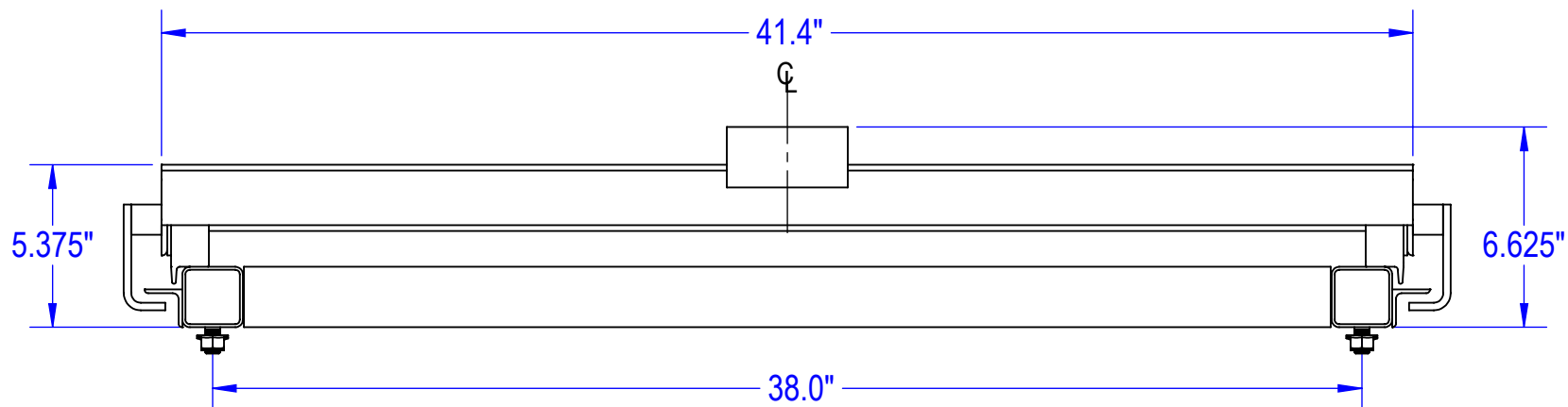


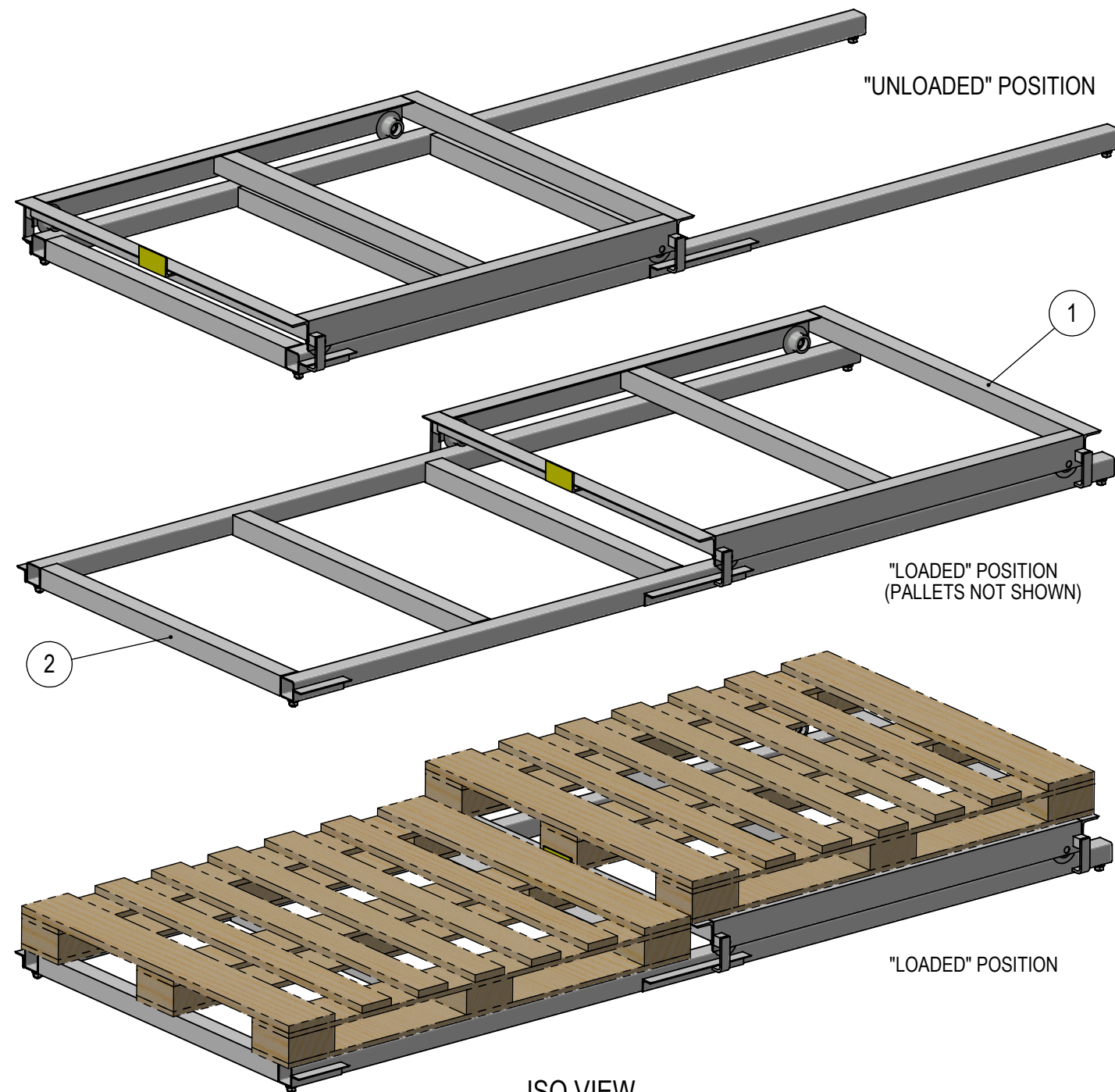
TOP VIEW



SIDE VIEW



FRONT VIEW  
SCALE 1:6



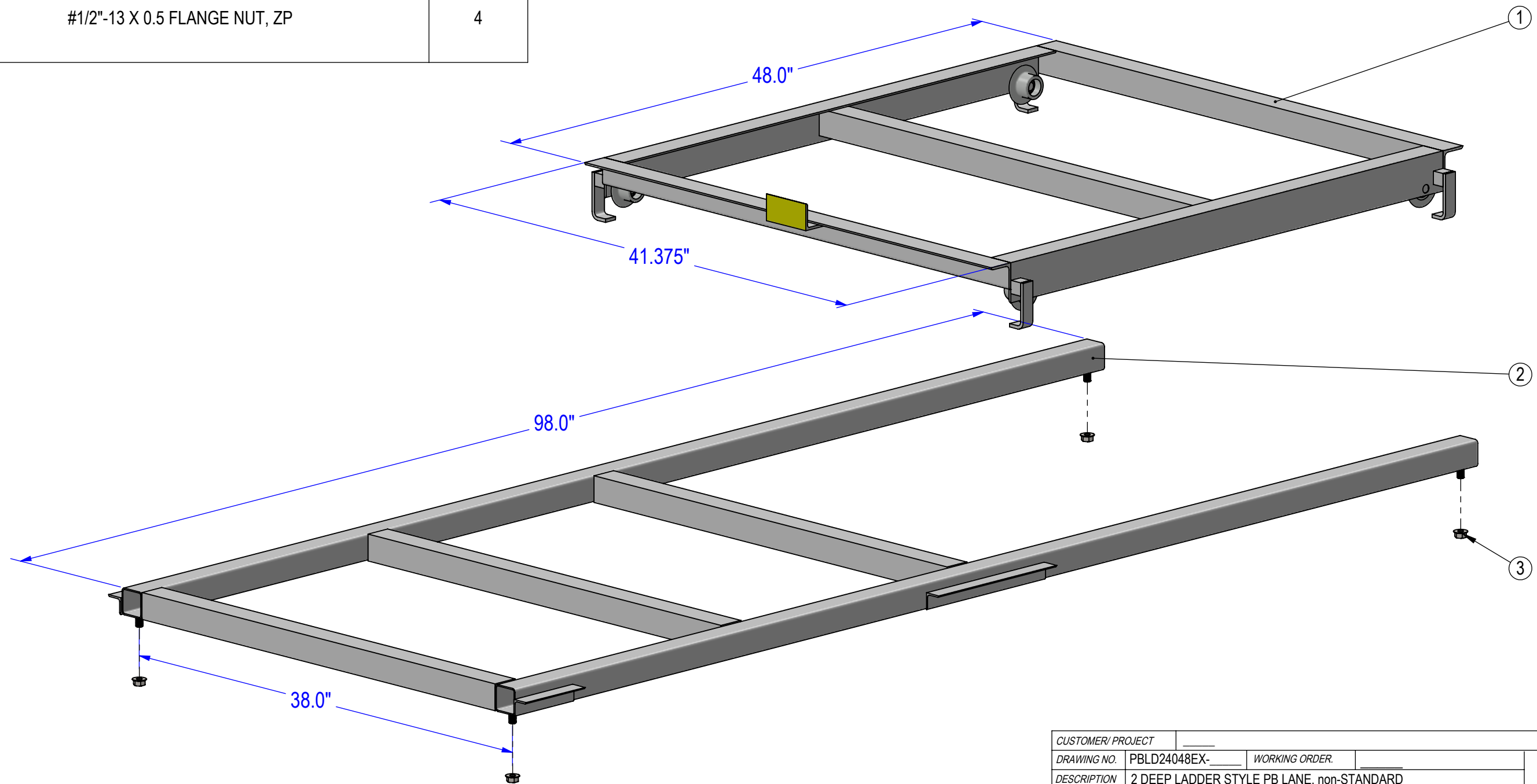
ISO VIEW

ITEM NO.	DESCRIPTION	QTY.	STANDARD LANE COLOURS
1	2 DEEP CART, LADDER STYLE	1	GREY, GREEN OR BLUE
2	RAIL, 2 DEEP, LADDER STYLE	1	

CUSTOMER/ PROJECT			
DRAWING NO.	PBLD24048-		
DESCRIPTION	2 DEEP LADDER STYLE PB LANE, non-STANDARD		
PALLET SIZE	40"W X 48"D	TOLERANCES	+/- 1/16" UNLESS STATED
PALLET STYLE	W/O CROSS BOARDS	DRAWN BY	AF
FINISH	POWDER COATING	DRAWN DATE	15/01/2014
COLOUR	T.B.CONFIRMED	SCALE	1:14
MATERIAL	M/S UNLESS STATED		



ITEM NO.	DESCRIPTION	QTY.
1	2 DEEP CART, LADDER STYLE	1
2	RAIL, 2 DEEP, LADDER STYLE	1
3	#1/2"-13 X 0.5 FLANGE NUT, ZP	4



CUSTOMER/ PROJECT			
DRAWING NO.	PBLD24048EX-_____	WORKING ORDER.	_____
DESCRIPTION	2 DEEP LADDER STYLE PB LANE, non-STANDARD		
PALLET SIZE	40"W X 48"D	TOLERANCES	+/- 1/16" UNLESS STATED
PALLET STYLE	W/O CROSS BOARDS	DRAWN BY	AF
FINISH	POWDER COATING	DRAWN DATE	15/01/2014
COLOUR	T.B.CONFIRMED	SCALE	1:8
MATERIAL	M/S UNLESS STATED		

