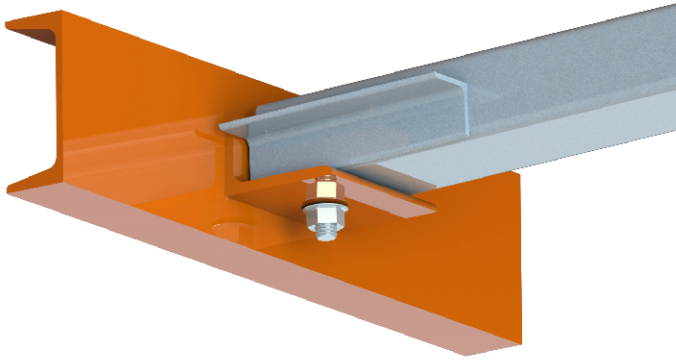


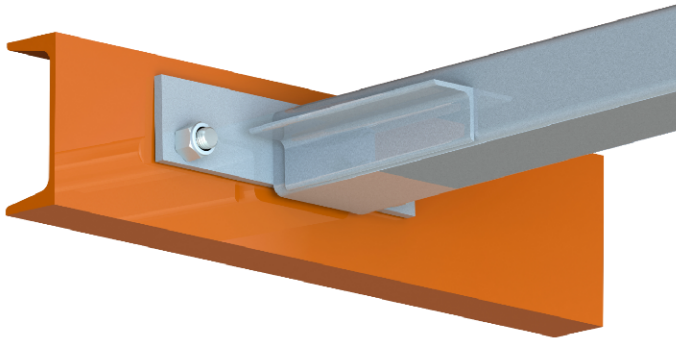
# PUSHBACK MOUNTING OPTIONS

FOR MORE INFORMATION, PLEASE CONTACT 3D STORAGE SYSTEMS

## STUD MOUNT



- Requires Cleats (Structural Angle) Welded to Front & Rear Beams
- Threaded Stud Welded to Underside of Rails
- Studs Drop Into Slots In Cleats
- Flange Nut to Fasten



## PLATE MOUNT

- Requires Punched Holes on Front and Rear Beams
- Rails with Steel Mount Plates Welded on Ends
- Bolts Fastened Through Beam & Mount Plates With Nyloc Nuts

Toll-Free: 877.830.0003  
Email: [mail@3dstoragesystems.com](mailto:mail@3dstoragesystems.com)  
[www.3dstoragesystems.com](http://www.3dstoragesystems.com)

**3D** STORAGE  
SYSTEMS  
LIMITED